

# READ INSTRUCTIONS

See Photographs Before Installing

## Quilters Delight Safety Pin Grip Covers®

**TOOL REQUIRED:**

# Small Needle Nose Pliers

**WARNING:**

**DO NOT** use the Kwik Klip™  
for installing pins into covers.

**USE ONLY SMALL  
NEEDLE NOSE PLIERS!**

### Instructions:

**Installing #1 Steel curved (quilters) or straight safety pins:** Press coil end of pin into the hole and hold in place with thumb and index finger, use pliers to snap pin wire (in the center) into the cover (See Fig. 1). Then use pliers to snap coil into hole (See Fig. 2).

**NOTE:** Quilters Pins (curved pins) are very easy to install. Pins from different manufactures can vary in wire diameter. If a pin comes loose, use pliers to crimp the plastic over the wire, this "locks" the pin (See Fig. 3 & 4).

*The Quilters Delight Pin Covers® and the Kwik Klip™ are endorsed by Eleanor Burns and are featured on her PBS series **Quilt In A Day.***

Fig. 1

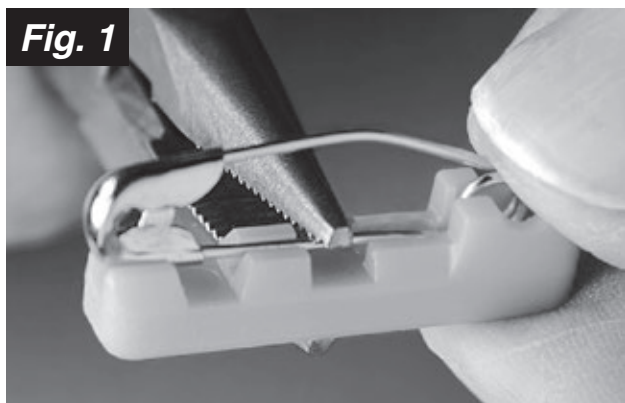


Fig. 2

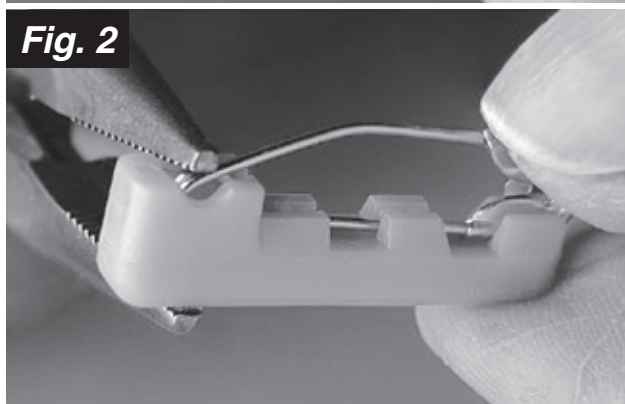


Fig. 3

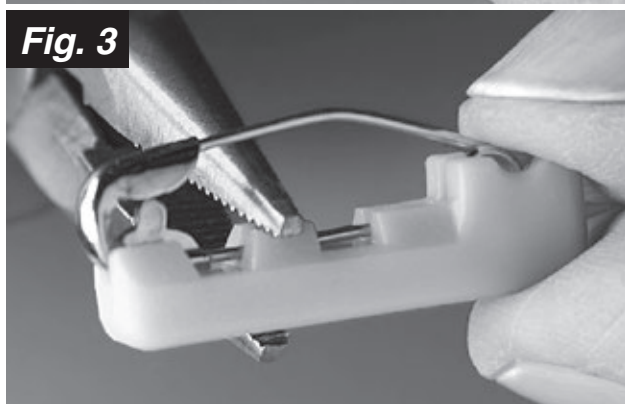
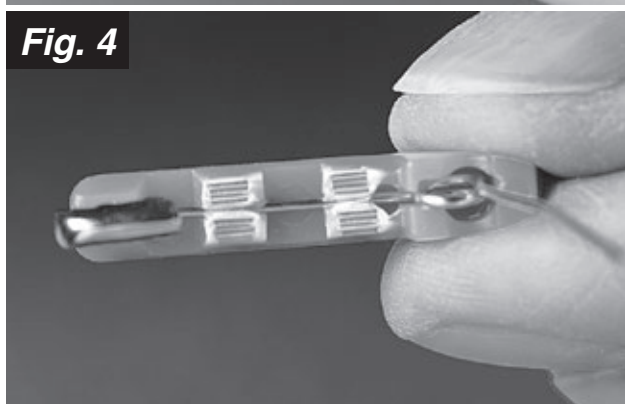


Fig. 4



Using Quilters Delight Pin Covers® and the Kwik Klip™ you can baste your quilt in half the time and never have sore fingers. Use the Kwik Klip™ to unfasten the pins. Pins with covers attached can be left open, they will not tangle and are ready for the next application.

**Paula Jean Creations**  
[www.paulajeancreations.com](http://www.paulajeancreations.com)